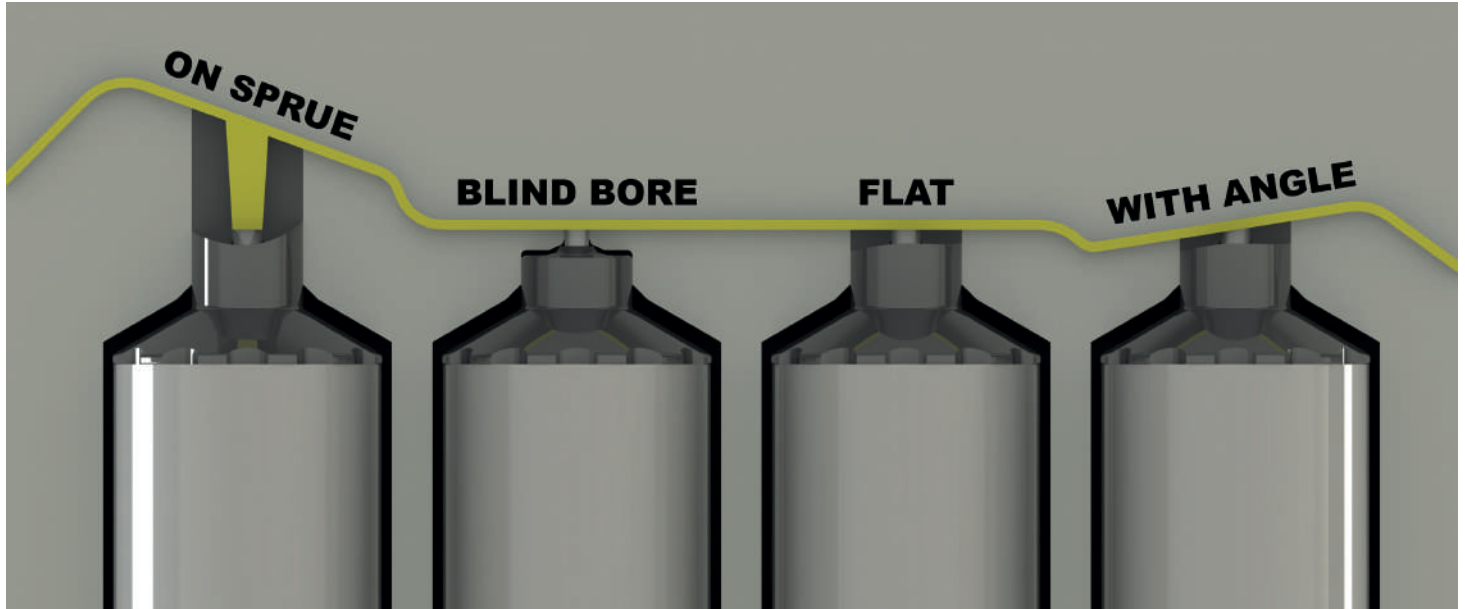
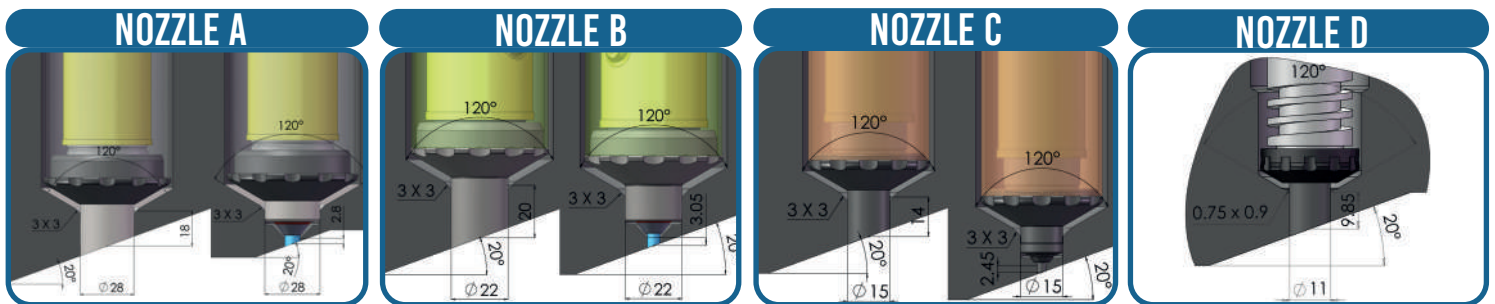


GATING TYPE

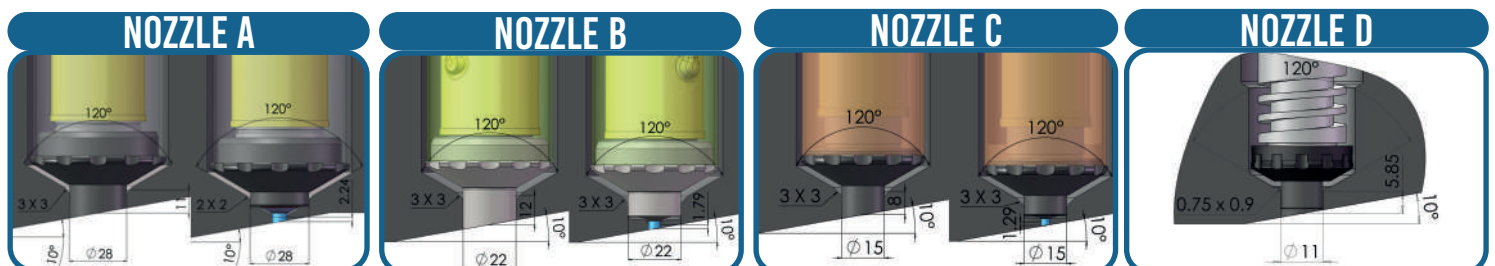


TIP LINE

EASYTIP: tip line for soft materials : PP, PE, TPE, SEBS



TECHTIP: tip line for hard materials : ABS, PC/ABS, PET, PBT, PA



Unique indexed tip technology.



NOZZLE TIP, VALVE PIN AND BUSHING INDEXED (WILL ALWAYS BE IN ACCURATE POSITION).

AESTHETICAL PARTS

- ✔ Smooth material flow
- ✔ No visible mark on part
- ✔ Excellent thermal barrier with tip

TECHNICAL PARTS

- ✔ Optimized wear resistance
- ✔ Preservation of fiber length
- ✔ Excellent thermal barrier with tip

PROCESS TO SELECT TIP

