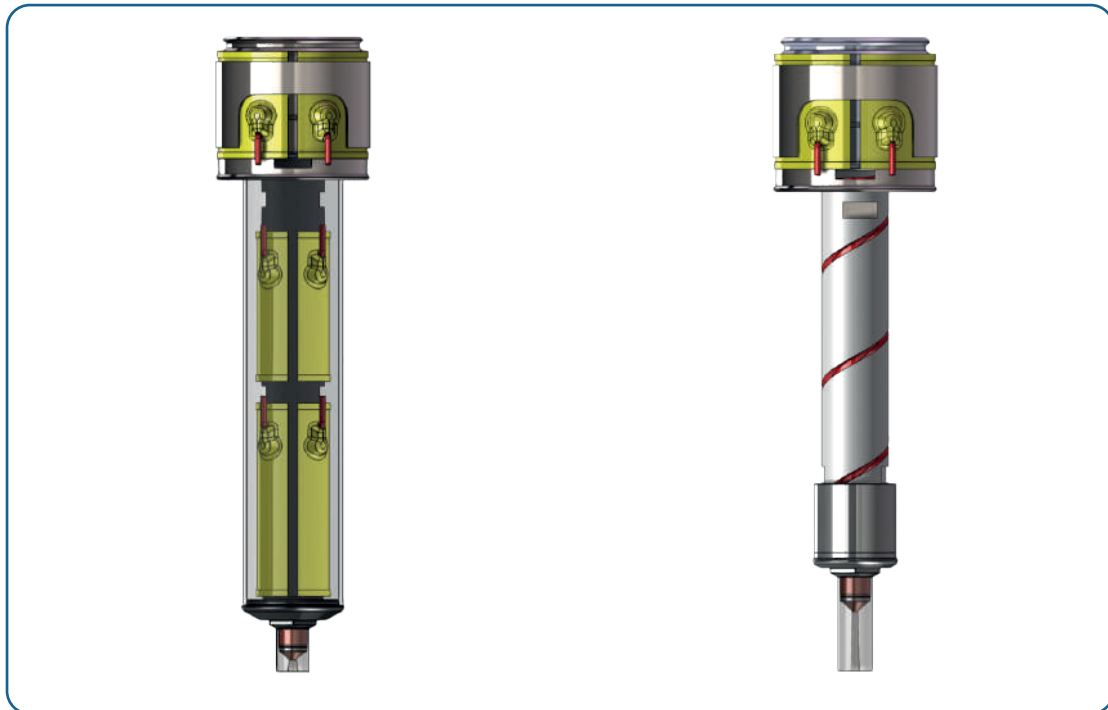


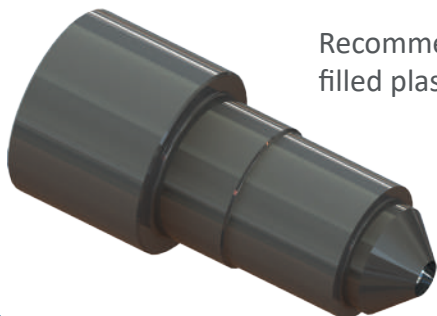
Open gate single nozzle.

PRODUCT HIGHLIGHTS

- ✔ Heated head
- ✔ Nozzle tip and nozzle position indexed (will always be in an accurate position)
- ✔ Removable and hardened nozzle seat
- ✔ Available with or without cabletrunk
- ✔ High performance tip technology for aesthetical or glass fiber reinforced parts:
 - ✔ Techtip for all materials
 - ✔ Easytip for polyolefins
 - ✔ Pinpoint or freeflow



FREE FLOW:



Recommended for glass fiber filled plastics

PIN POINT:



Recommended for high vestige quality and gate string prevention

TECHNICAL FEATURES

Standard diameters to suit all injection needs and compact design

CLASS 1

NOZZLE A:

Not available

NOZZLE B:

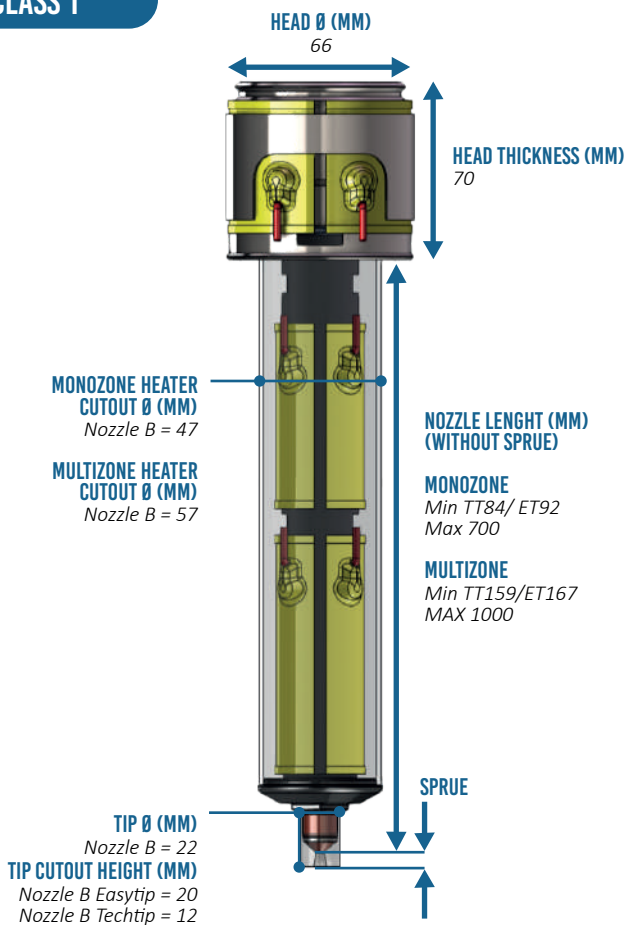
Ø 16, 18, 20 mm
Gate Ø 3, 4, 5 mm

CLASS 2

NOZZLE C:

Ø 10, 12, 14 mm
Gate Ø 2, 3, 4 mm

CLASS 1



CLASS 2

