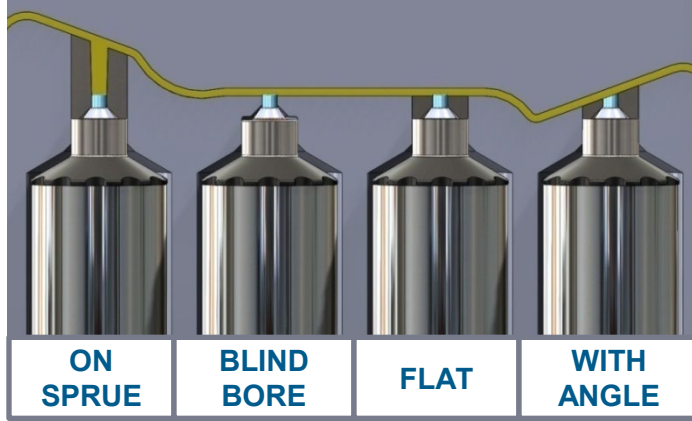


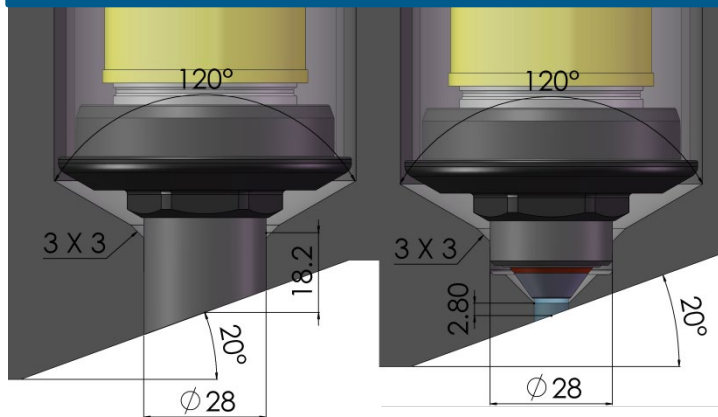
VALVE GATE TIP LINE

GATING TYPE

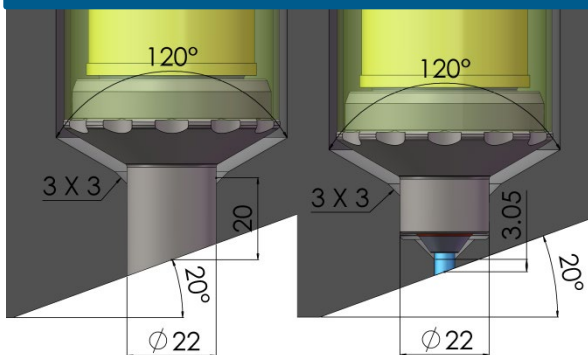


EASYTIP : TIP LINE FOR SOFT MATERIALS : PP, PE, TPE, SEBS

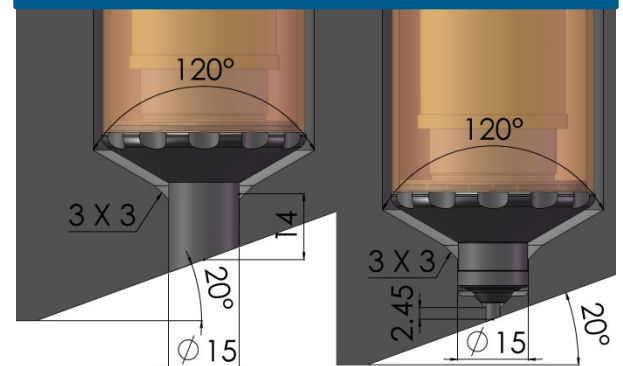
NOZZLE A



NOZZLE B

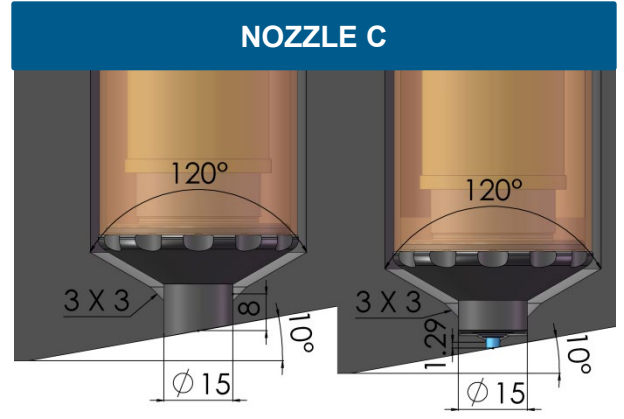
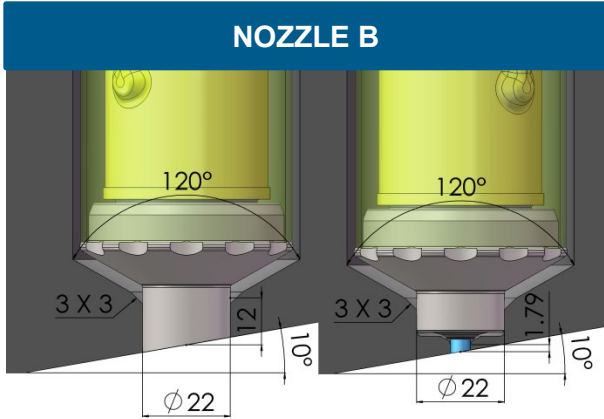


NOZZLE C



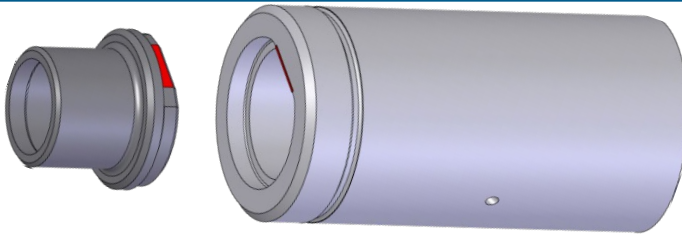
TECHTIP : TIP LINE FOR HARD MATERIALS : ABS, PC/ABS, PET, PBT, PA, BLENDS

NOZZLE A : SAME DIMENSION AS EASYTIP

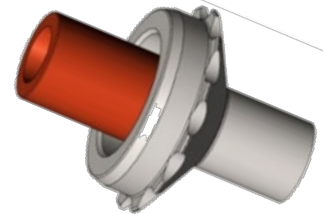


UNIQUE INDEXED TIP TECHNOLOGY (WORLDWIDE PATENT PENDING)

INDEXED TIP



THERMAL RING



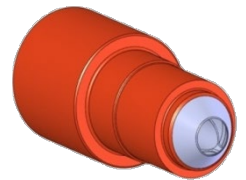
PROCESSING AESTHETICAL PARTS : "ASPECT" / PROCESSING TECHNICAL PARTS : "GF"

AESTHETICAL PARTS

- ✓ GENTLE MATERIAL FLOW
- ✓ EXCELLENT COLOR CHANGE
- ✓ NO VISIBLE MARK ON PART
- ✓ EXCELLENT THERMAL BARRIER WITH TIP

TECHNICAL PARTS

- ✓ EXCELLENT WEAR RESISTANCE
- ✓ PRESERVATION OF FIBER LENGTH
- ✓ EXCELLENT THERMAL BARRIER WITH TIP



HOW TO SELECT YOUR TIP TECHNOLOGY ?

