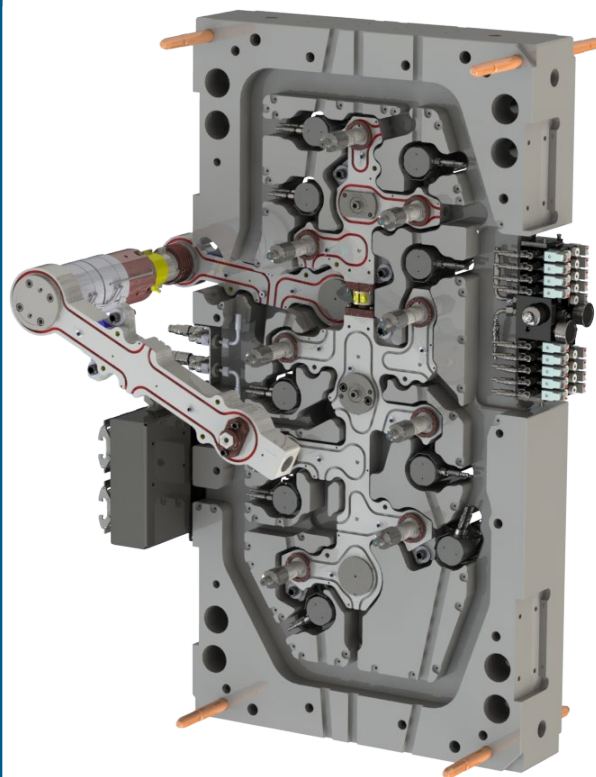


## STACK MOLD SOLUTION FOR SEQUENTIAL HOT RUNNER SYSTEMS

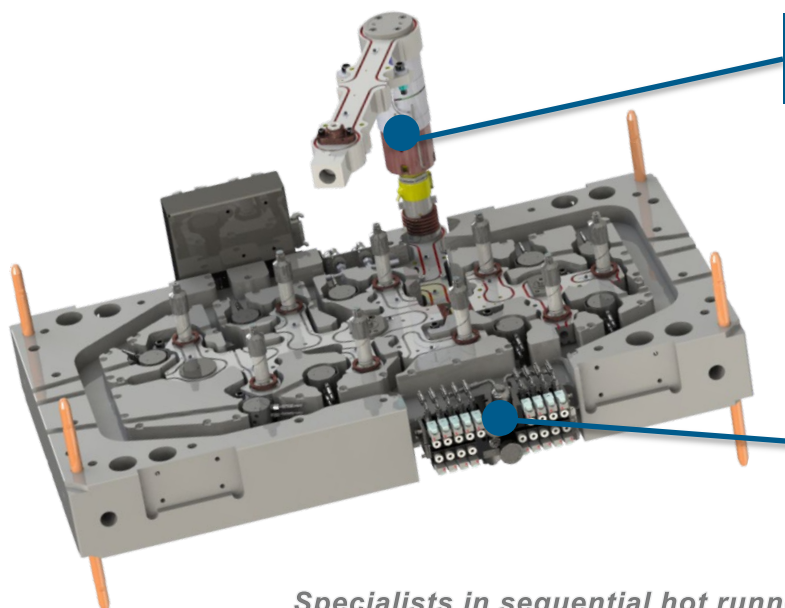
STEPFLOW IS A COMPACT AND COOLANT FREE SELF CONTAINED MIDDLE PART OF THE MOLD WHICH INCLUDES THE MECHANICAL, THERMAL, HYDRAULIC COMPONENTS AND AN INNOVATED AUTOMATIC MECHANICAL TRANSFER NOZZLE

### PRODUCT HIGHLIGHTS

- ❏ AUTOMATIC MECHANICAL TRANSFER NOZZLE WITHOUT WASTE : **ONLY REQUIRES CLAMP FORCE**, VERY EASY TO USE, RELIABLE AND LEAK PROOF
- ❏ TRANSFER NOZZLE POSITION IS DESIGNED TO SUIT YOUR APPLICATION: IN THE CENTER OR AT THE BOTTOM OF THE MOLD
- ❏ CYLINDERS ARE OFFSET WITH NOZZLES : **NO COOLING REQUIRED**
- ❏ MAXIMUM MOLD SUPPORT (NO CABLE TRUNK)
- ❏ VERY COMPACT MIDDLE PLATE THICKNESS : 132 TO 210MM (5.196" TO 8.267")
- ❏ EASY ASSEMBLY AND MAINTENANCE INCLUDING GUIDE PINS
- ❏ NOZZLE TIP, VALVE PIN AND BUSHING INDEXED (WILL ALWAYS BE IN ACCURATE POSITION)
- ❏ SUPERIOR RHEOLOGY INSIDE THE MANIFOLD : FREE MANIFOLD SHAPE
- ❏ AVAILABLE IN SHIFTED NOZZLES VERSION (ONE MANIFOLD) AND OPPOSITE NOZZLES VERSION (TWO MANIFOLDS)



**AUTOMATIC TRANSFER NOZZLE**

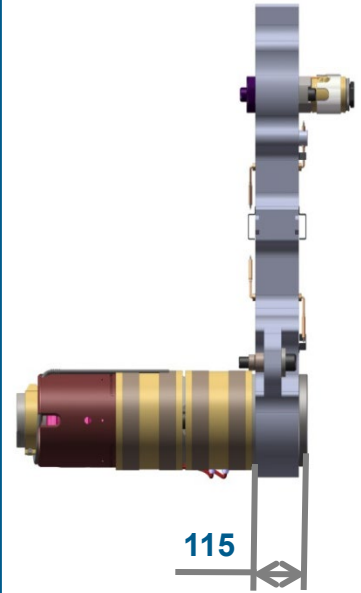
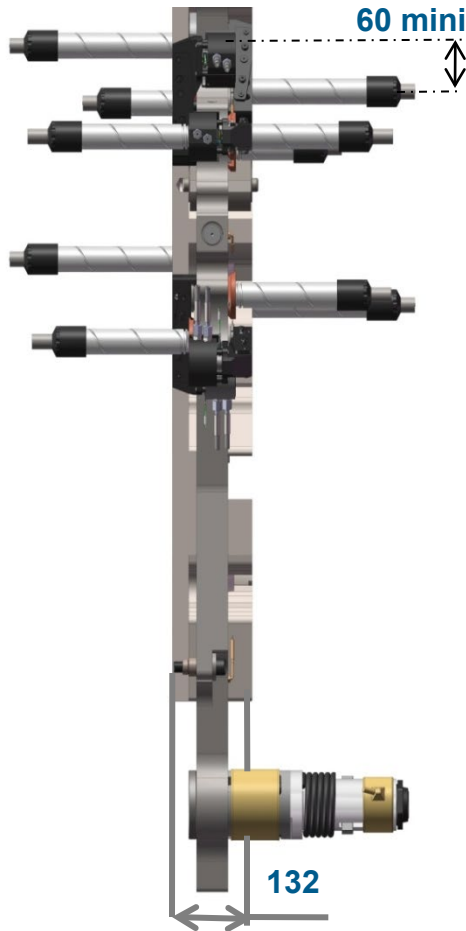
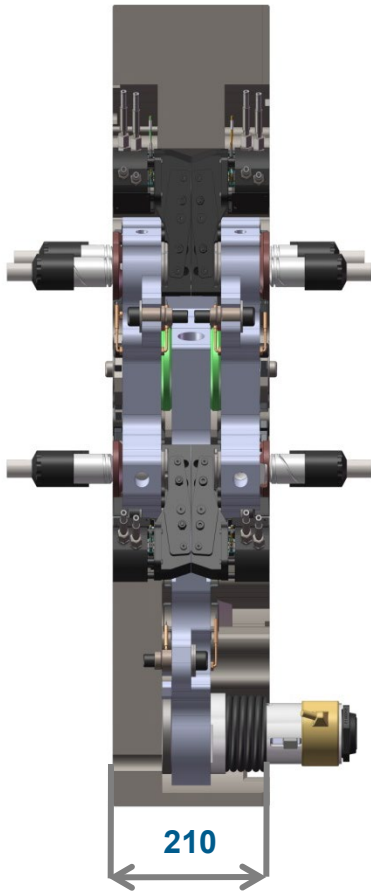


**HYDRAULIC ELECTROVALVE INCLUDING : OIL FILTER, LED, PRESSURE REGULATOR, MANOMETER**

**OPPOSITE NOZZLES  
VERSION  
TWO MANIFOLDS**

**SHIFTED NOZZLES VERSION  
ONE MANIFOLD**

**FIX PART OF THE  
MOLD**



**MOLD CLOSED POSITION :  
OPEN AUTOMATICALLY**

**MOLD OPEN POSITION : CLOSED  
AUTOMATICALLY**

**AUTOMATIC MECHANICAL TRANSFER  
NOZZLE WITHOUT WASTE**

