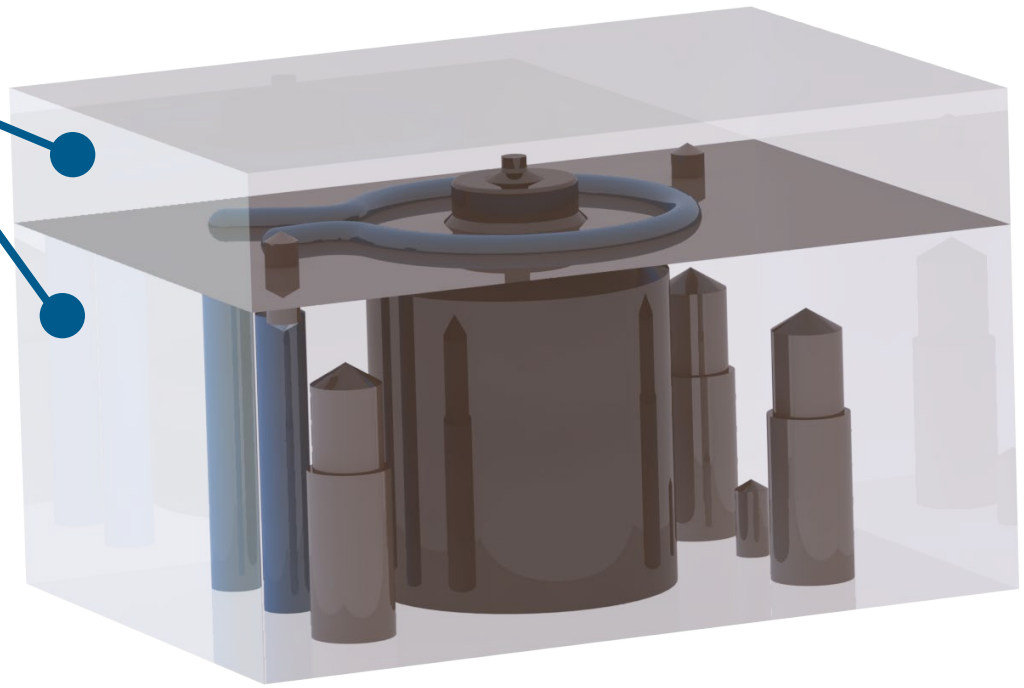


COOLING BUSH : BRAZING TECHNOLOGY

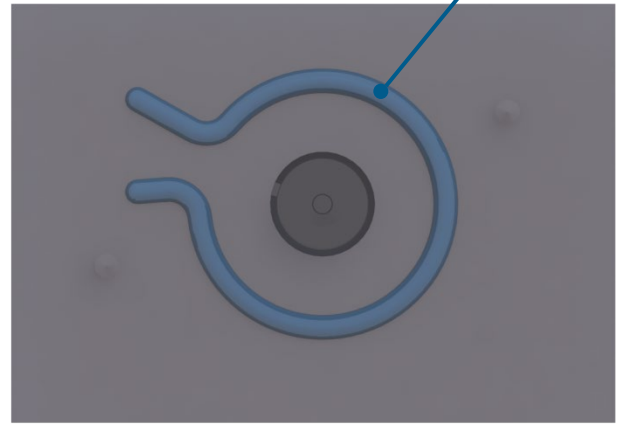
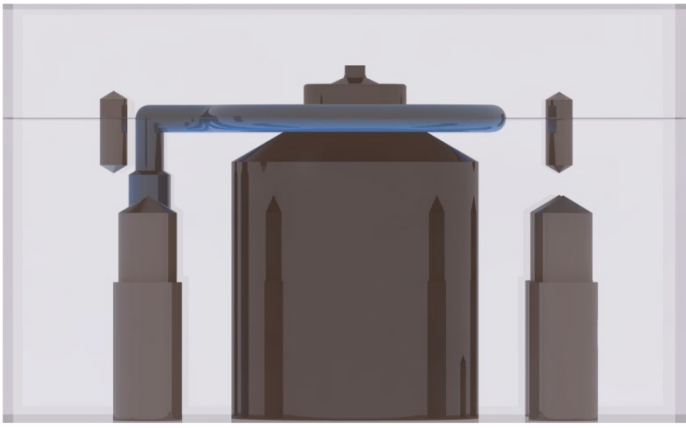
PRODUCT HIGHLIGHTS

- FOR LARGER SIZE APPLICATIONS
- BRAZING IS A MORE ECONOMICAL SOLUTION
- COOLING CIRCUIT CAN BE PLACED MUCH CLOSER TO THE GATE THAN WITH TRADITIONAL METHODS

MACHINED STEEL
BRAZED TOGETHER



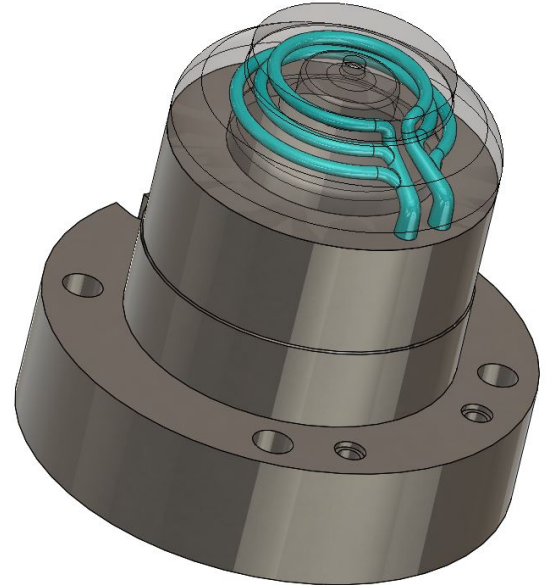
COOLING CIRCUIT



COOLING BUSH : SLM TECHNOLOGY

PRODUCT HIGHLIGHTS

- ❏ COOLED MOLD INSERT SPECIFICALLY DESIGNED TO HOST RUNIPSYS NOZZLE TIPS
- ❏ PERFECT CONTROL OF GATE THERMAL BEHAVIOR
- ❏ CALCULATED WATER CHANNEL DIMENSIONS
- ❏ QUALITY CONTROL BY THERMAL CAMERA
- ❏ EOS MARAGING MS1 (1.2709) HARDENED STEEL : > 50 HRC
- ❏ PRODUCT DEVELOPPED AND MANUFACTURED BY FRENCH PLASTICS TECHNICAL CENTER IPC



- ❏ IDEAL SOLUTION FOR DIRECT GATED AESTHETICAL PARTS

