

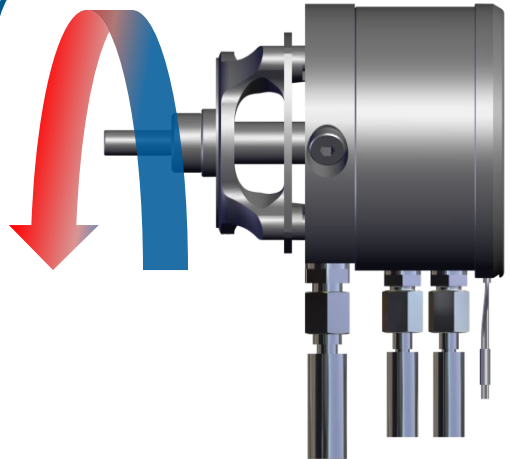
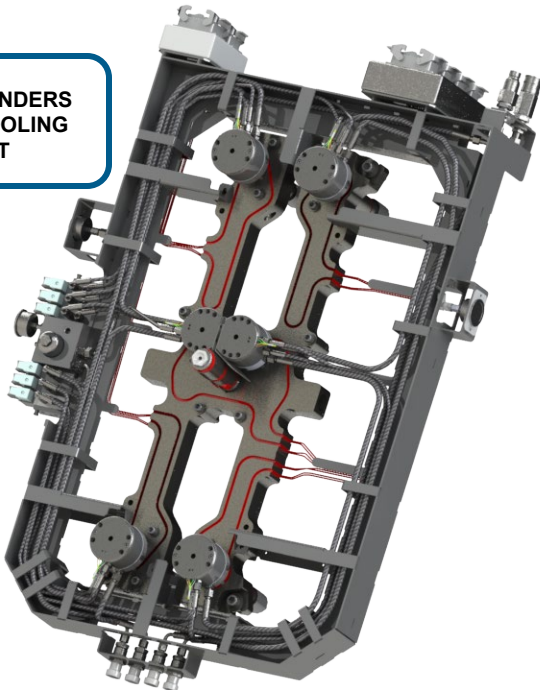
CABLETRUNK SOLUTION FOR SEQUENTIAL HOT RUNNER SYSTEMS

COOLFLOW IS A PREWIRED, PREPIPED SYSTEM WHICH INCLUDES THE MECHANICAL, THERMAL AND HYDRAULIC COMPONENTS

PRODUCT HIGHLIGHTS

- ❑ CYLINDERS ARE IN LINE WITH NOZZLES : COOLING IS REQUIRED
- ❑ DOUBLE COOLING DESIGN (WATER + AIR COOLING)
- ❑ MAXIMUM MOLD SUPPORT (OUTSIDE MOLD CAVITY DESIGN CABLE TRUNK)
- ❑ COMPACT THICKNESS : 176 MM (BUSHING A AND B) 160 MM
HOT RUNNER PLATE THICKNESS = 126 MM
- ❑ EASY ASSEMBLY AND MAINTENANCE WITH RIGID CABLETRUNK (COLUMNS OPTION)
- ❑ NOZZLE TIP, VALVE PIN AND BUSHING INDEXED (WILL ALWAYS BE IN ACCURATE POSITION)
- ❑ SUPERIOR RHEOLOGY INSIDE THE MANIFOLD : FREE MANIFOLD SHAPE
- ❑ HIGH PERFORMANCE TIP TECHNOLOGY FOR AESTHETICAL OR GLASS FIBER REINFORCED PARTS
- ❑ AVAILABLE IN HYDRAULIC 100 BAR AND 50 BAR

UP TO 6 CYLINDERS
ON EACH COOLING
CIRCUIT



UNIQUE THERMAL BARRIER FOR THE CYLINDER PROVIDED BY A DOUBLE COOLING DESIGN : WATER COOLED PLATE + AIRFLOW COOLING

- ❑ NO POST COOLING NECESSARY FOR PP APPLICATIONS
- ❑ PRE COOLING CONDITIONS : REFER TO SPECIFIC DATASHEET

RHEOLOGY : STANDARD DIAMETERS TO SUIT ALL INJECTION NEEDS

NOZZLE A

- Ø 22 AND 24 MM
- NEEDLE Ø 8 MM
- GATE Ø 8 MM

NOZZLE B

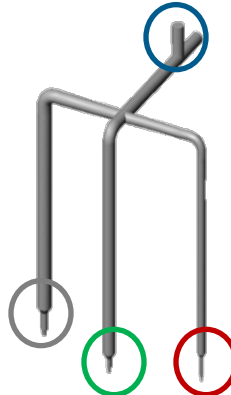
- Ø 16, 18, 21 MM
- NEEDLE Ø 6 MM
- GATE Ø 4, 5, 6 MM

MANIFOLD

- Ø 8, 10, 12, 14, 16, 18, 20, 22 MM

NOZZLE C

- Ø 10, 12, 14 MM
- NEEDLE Ø 5.5 MM
- GATE Ø 2, 3, 4 MM



TOOL INTEGRATION : COMPACT DESIGN

MANY STANDARD SOLUTIONS HAVE BEEN DEVELOPED TO SUIT ALL INJECTION SITUATIONS

- LONG GLASS FIBER MATERIAL (LGF)
- TECHNICAL MATERIALS
- 2K MOLDS
- FAST COLOR CHANGE : COLOREX TECHNOLOGY
- FLOW CONTROL / FLOW DRIVER
- UNFAVORABLE L/Z RATIO
- LATERAL INJECTION
- WOOD OR TEXTILE OVERMOLDING

CLASS 1

