

COOLFLOW

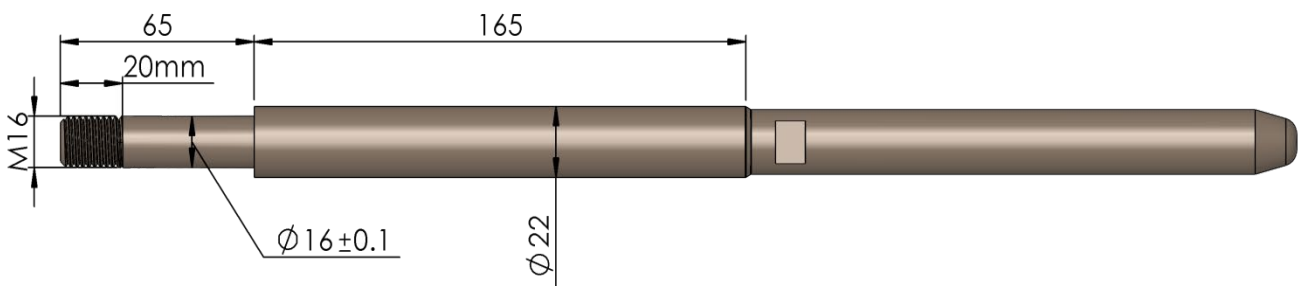
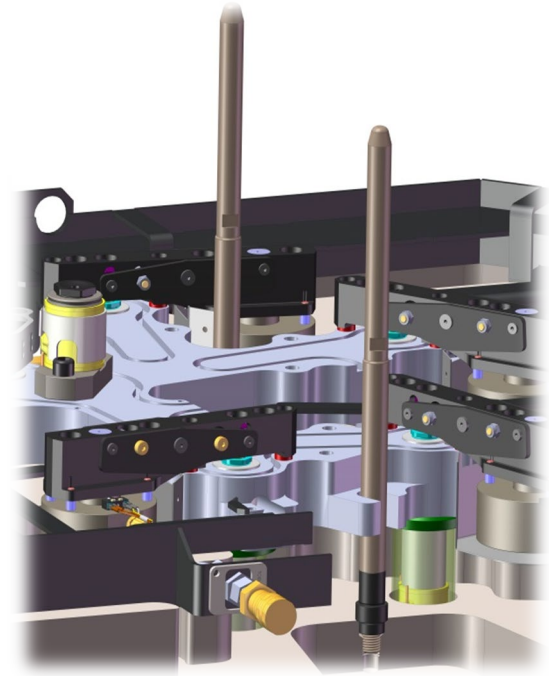
OPTIMAX

MODULFLOW

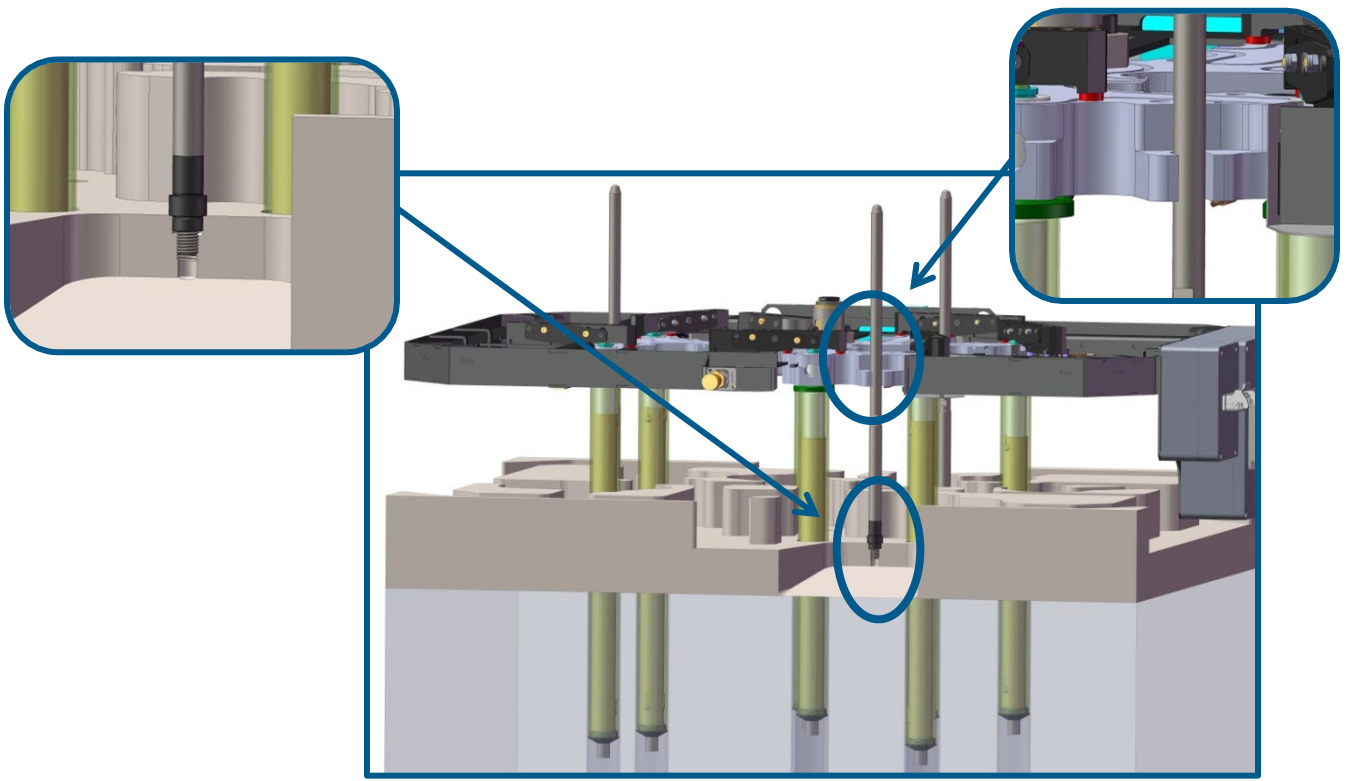
GUIDING COLUMNS

PRODUCT HIGHLIGHTS

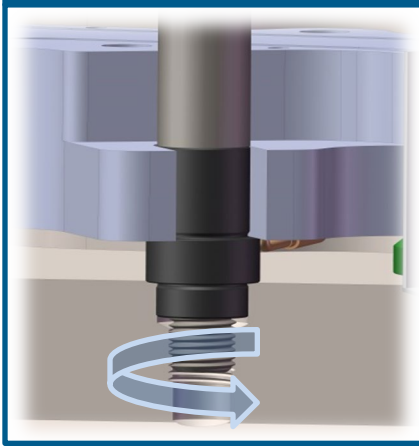
- GUIDING COLUMNS DESIGNED FOR EASY AND SAFE ASSEMBLY AND DISASSEMBLY OF THE HOT RUNNER SYSTEM
- COLUMNS ARE REMOVED AND STORED AFTER SYSTEM ASSEMBLY
- COLUMNS ARE USABLE FOR ANY SYSTEM IN PRODUCTION TODAY AND ANY FUTURE SYSTEM
- STANDARD COLUMNS, USABLE ON EVERY SYSTEM : NO NEED FOR SPECIFIC COLUMNS DEDICATED TO EACH SYSTEM
- SOLD AS A PACKAGE OF 4 : ONE PACKAGE ONLY IS NECESSARY FOR EACH FACTORY
- USEFUL FOR TOOLMAKERS AND MOLDING PLANTS



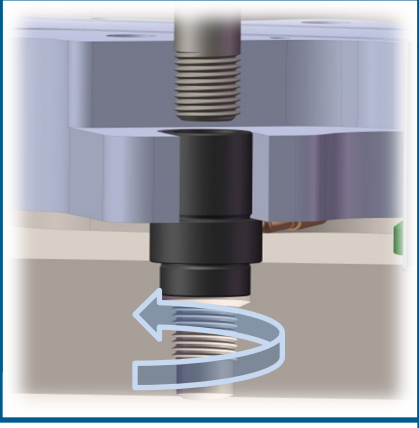
THE COLUMNS USE THE EXISTING MOLD M16 BORES : NO NEED TO ADD EXTRA MACHINING TO THE MOLD



STEP 1 : SCREWING GUIDING COLUMNS



STEP 2 : WHEN THE MANIFOLD IS IN PLACE, UNSCREW THE GUIDING COLUMNS



STEP 3 : FIX THE STANDARD SCREW INTO THE BACK PLATE

